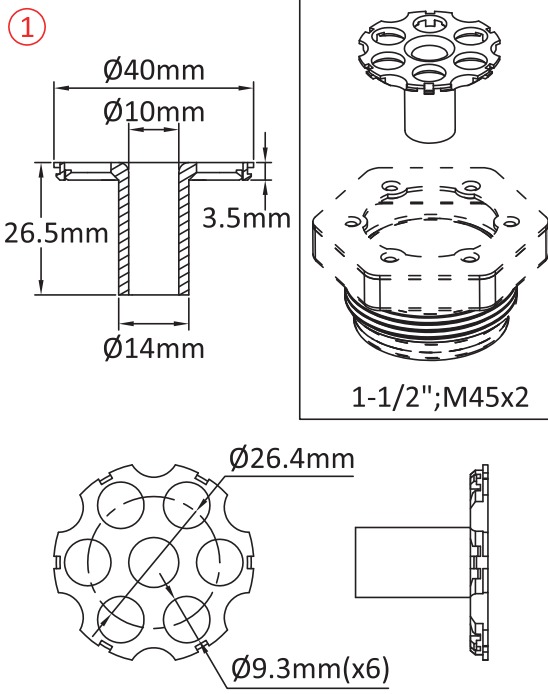
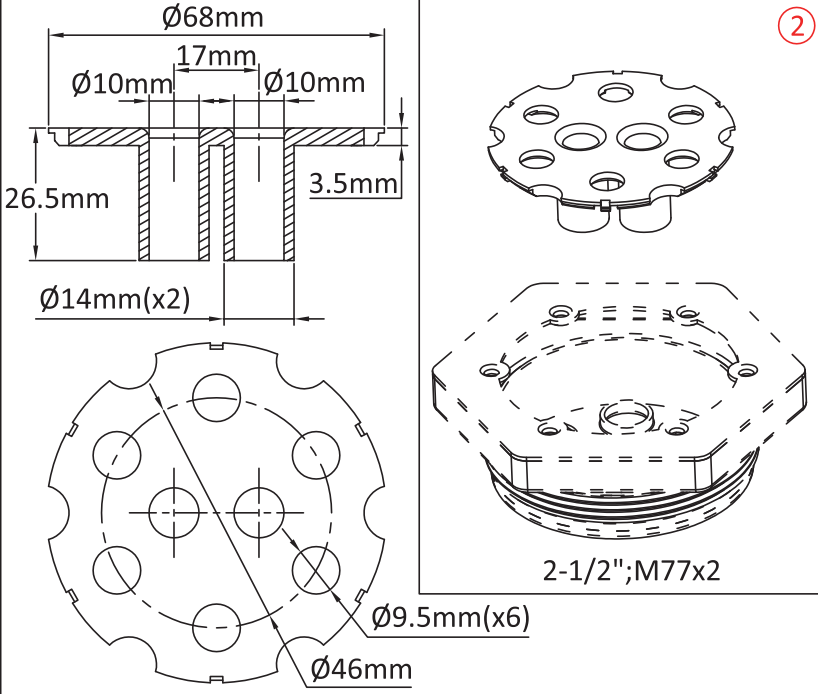


Shutters of deep drawn stainless steel fittings

Minimum Size	Maximum Size	Material	Type	Model
1¼"	2½"	PA66	Shutter	66Z1 66Z2




Compatible with:		
<input checked="" type="checkbox"/> 66RJ <input checked="" type="checkbox"/> 66RK <input checked="" type="checkbox"/> 66RO <input checked="" type="checkbox"/> 66RP <input checked="" type="checkbox"/> 66RQ <input checked="" type="checkbox"/> 66RR <input checked="" type="checkbox"/> 66RU <input checked="" type="checkbox"/> 66RV <input checked="" type="checkbox"/> Designed to close deep drawn stainless steel fittings after heating elements soldering.	① 	② 

① 	
--	--

Main references

①	②
66Z1P60931010265	66Z2P60952010265

Links

	Page (.pdf)
	Drawing 2D (.dwg)
	Drawing 3D (.stp)

Red dimensions inside rectangular frames on drawings are used for assembly on enclosures or on fittings.

